

Wheelmark Compasses

The Wheelmark approval is for Lifeboat and Rescue boat compasses. These compasses are also suitable for sailboats, power boats and motor sailing vessels.

The -WM suffix signifies type approval and compliance with the Navigation requirements of Marine Equipment Directive (MED) 95/98/EC and the last modification by Directive 2011/75/EU. Wheelmark certificates can be downloaded from our website, www.ritchienavigation.com

FLUSH MOUNT

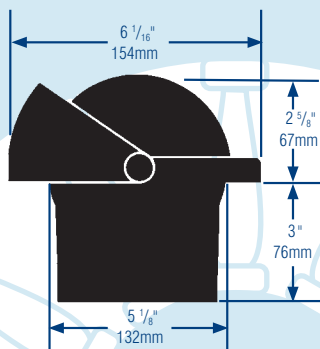
Ritchie Navigator™ FN-201-WM & FN-201W-WM, 4 1/2" Dial



FN-201W-WM

FN-201-WM

Dial Size/Design	4 1/2" (114mm)/Flat-Card
Night Lighting	12V Green
Compensators	Built-in
Mounting Hole	5 1/8" (130mm)
Warranty	5-Year
Approx. Shipping Wt.	2 lb. 10 oz. (1.19kg)
Protective Cover	Model No. N-203-C



BINNACLE MOUNT

Ritchie Navigator™ DNW-200-WM, DNP-200-WM & DNB-200-WM, 4 1/2" Dial

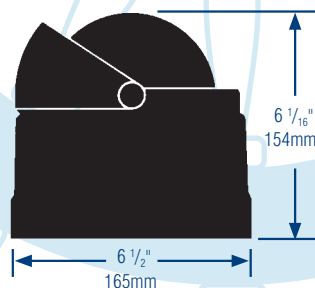


DNW-200-WM

DNP-200-WM

DNB-200-WM

Dial Size/Design	4 1/2" (114mm)/Flat-Card Dial
Night Lighting	12V Green
Compensators	Built-in
Warranty	5-Year
Approx. Shipping Wt.	3 lb. 10 oz. (1.65kg)
Protective Cover	Model No. N-203-C



Weather Shield Model No. WS-P (Sold Separately)



This wheelmark symbol denotes conformance with standards ISO 25862:2009, ISO 10316:1990(E) and ISO 613:2002(E)