

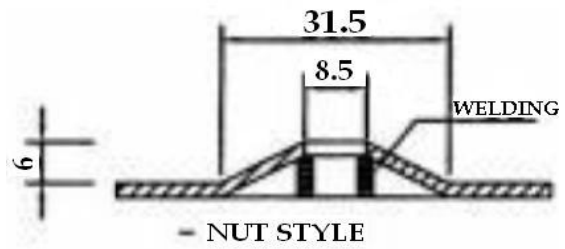
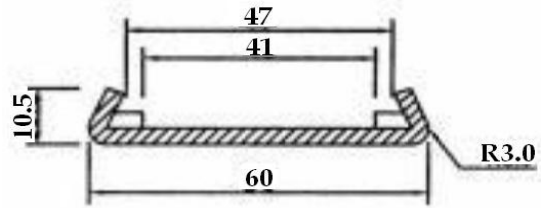
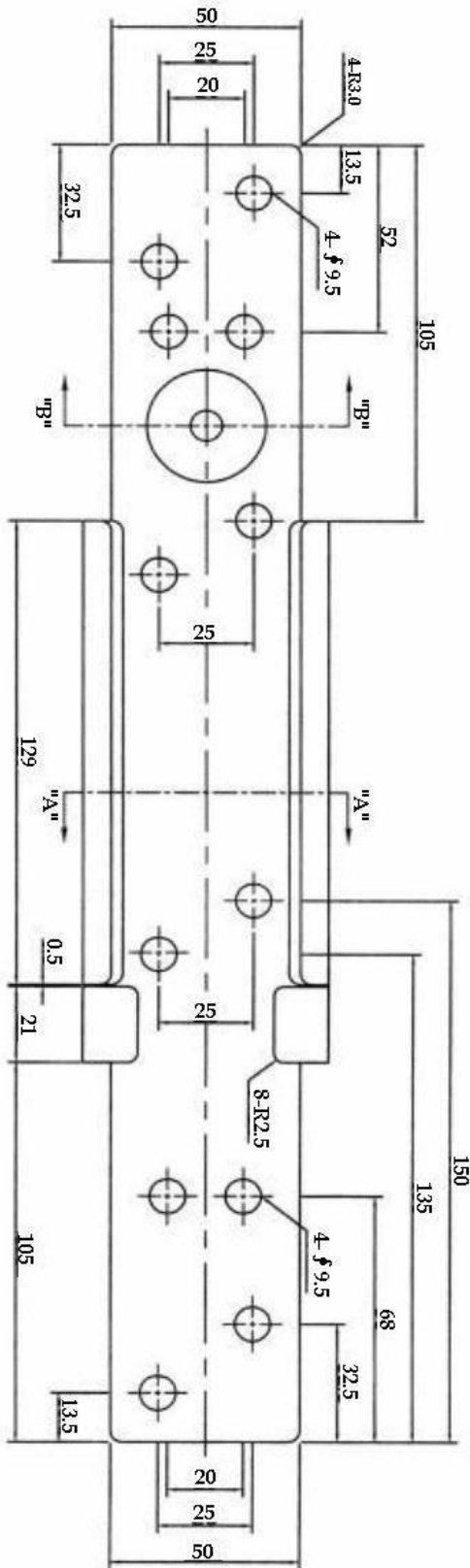
LIGHT SMOKE SIGNAL - JHL4&JHLS4



SPECIFICATION

- Light intensity : ≥ 2 cd
- Smoke Colour : Orange
- Smoke obscuration : $\geq 70\%$
- Lighting Time : ≥ 2 h
- Smoke duration time : ≥ 15 min
- SIZE : $\Phi 185*480$ mm

LIGHT SMOKE SIGNAL - BRACKET



NOTE

1. MATERIAL: STAINLESS, KS D 3698, ST304L
THICKNESS 2.0 ± 0.1
2. SHARP EDGE FINISH

LIGHT SMOKE SIGNAL -INSTALLATION EXPLANATION



1. As shown, please install the signal into the bracket bayonet.

Note: the hole of tied rope should be upward.



2. Unscrew the waterproof cover on the top of the signal pull-ignition device.

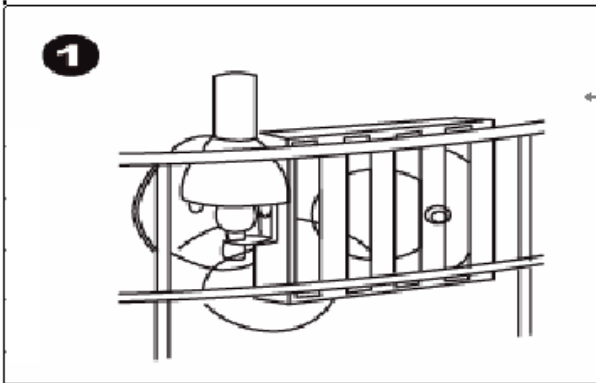


3. Fix on the position-indicating bayonet of pull-ignition device.
Then screw on the waterproof cover, and tighten retaining nut.

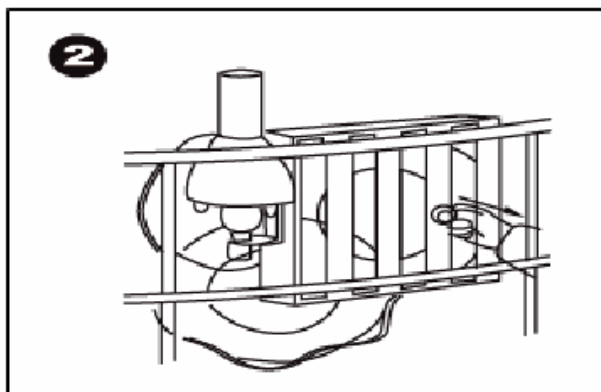


4. Install as shown.

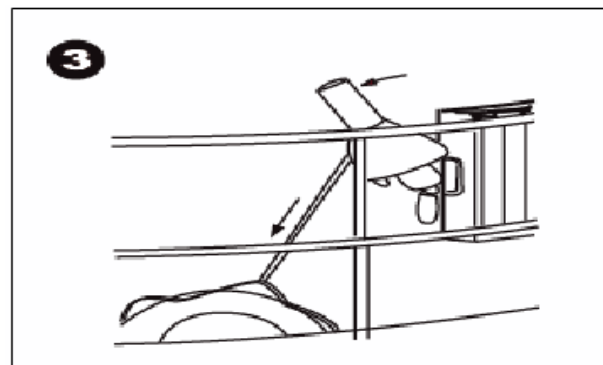
LIGHT SMOKE SIGNAL - INSTRUCTION



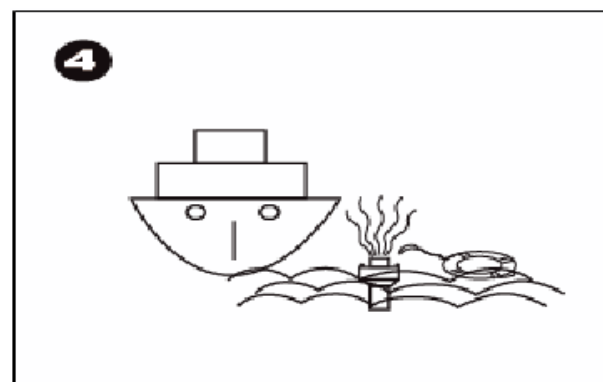
Tie the rope on the life buoy and fix the nut.
Install as shown.



Activate the quick release arrangement
of lifebuoy.



In emergency situation



release the lifebuoy,
the signal activation