

**DAVIS**

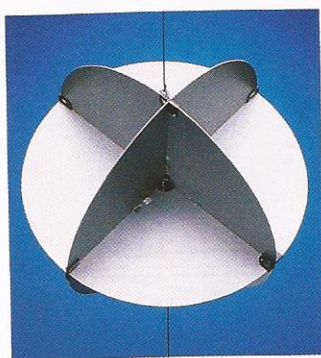
# ECHOMASTER™

Ranked One of the World's Best Radar Reflectors!

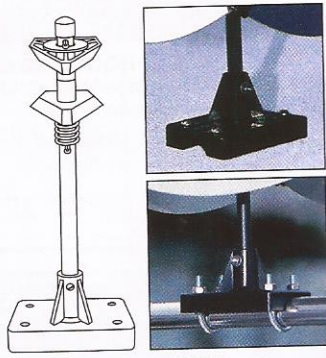
Giving ships a chance to see you in fog and low visibility conditions is a must for serious boaters.

Echomaster's full 12.5" (32 cm) diameter circular reflector plates provide 13.2 square yards (12 sq. meters) of maximum effective radar cross section in the X or 3 cm band (9-9.6 GHz frequency), based on optimum orientation between the reflector and radar. Offers equivalent radar cross section of conventional triangular plate reflector with approximate 17" (43 cm) diagonal dimension.

Robust 0.05" (1.3 mm) marine grade aluminum circular plates; sufficient thickness to minimize flexing; dimpled to minimize angular distortion. Tough injection-molded, captive corner latches assure minimum angle error. Has 1 1/4" (32 mm) windage holes for reduced aerodynamic drag. These holes also allow assembly of the reflector around a backstay. Quickly and easily assembled and demounted. Stows flat. Full booklet on radar reflectors and detailed instructions provided.



DELUXE HANGING ECHOMASTER #153



SURFACE MOUNT SYSTEM #157

All Echomaster™ models can be stored flat and assemble in minutes. The sturdy aluminum plates are held together by tough, injection-molded corner latches. Assembled reflector features a 1 1/4" (32 mm) windage hole for reduced aerodynamic drag.

**STANDARD ECHOMASTER** 12 square meters of radar cross section. Plates are made of sturdy, 1.3 mm marine grade aluminum. Assemble around a backstay or make your own bridle and hang from holes drilled in corner latches. #157 Surface Mount System can be purchased separately.

#152 011698 01520 7

**DELUXE HANGING ECHOMASTER** 12 square meters of radar cross section. Plates are clear anodized, 1.3 mm marine grade aluminum. Comes with hanging mount system to suspend unit from mast or rigging in "catch rain" position. #157 Surface Mount System can be purchased separately. Vinyl storage case included.

#153 011698 01530 6

## SURFACE MOUNT SYSTEM

Allows hard surface or rail mounting of radar reflector. Can be purchased optionally for Echomaster #152 or #153. Base measures just 2.75 x 3.75" (7.0 x 9.5 cm).

#157 011698 01570 2

### Echomaster's Proven Superiority

Ranked one of the best radar reflectors and one of the top ten sailing products by Practical Sailor.

Rated "superior" by SRI after the most rigorous tests ever conducted on radar reflectors, some costing 10 times as much.



## How a Ship's Radar Sees Your Boat

Imagine a ship making a complete circle around your boat. Its radar would hit your radar reflector from all angles. If your boat were stationary and we plotted how strong the reflected radar signal is at all angles, we'd get performance diagrams like this...



DAVIS ECHOMASTER #152, 153

DAVIS EMERGENCY RADAR REFLECTOR #151

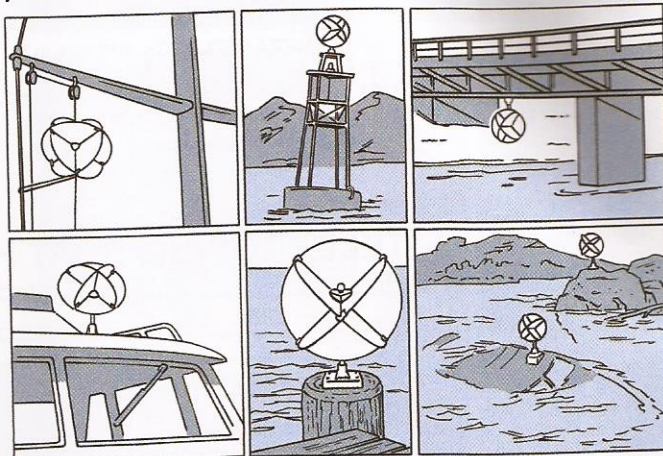
MOBRI RADAR REFLECTOR

FIRDELL BLIPPER

RADAR FLAG

Admiralty surface weapons test, England

The outside of the circle is what a 10<sup>2</sup> meter cross section of a metallic sphere would reflect (the laboratory standard). **The larger the performance plot, the better the reflector.** Peaks in the pattern should approach the laboratory standard and be uniformly distributed 360° around the fixed reference point (your boat). Valleys should be minimal in width. The Davis reflectors show good balance: strong peaks, narrow valleys. Other reflectors have inadequate peaks or large areas of weak response. **How big do you want to be on an oncoming ship's radar screen?**

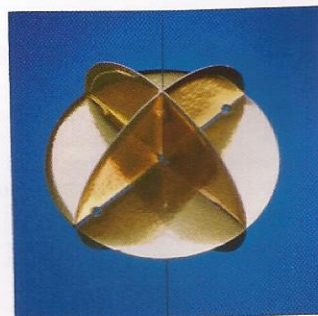


Make your boat visible to other vessels.

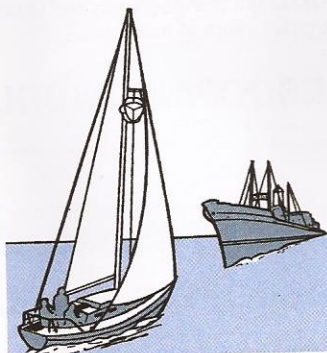
Find your way home in less than perfect conditions. Mount a radar reflector on a buoy or piling to help identify your dock or mooring.

Mark hazards to navigation to supplement official channel markings. Install radar reflectors on specific hazards—bridges, rocks, submerged trees, sunken boats.

## EMERGENCY RADAR REFLECTOR



EMERGENCY RADAR REFLECTOR #151



#151 Emergency Radar Reflector

011698 01510 8

Recommended "Best Buy" by Practical Sailor!

Excellent as a back-up aboard larger vessels or primary reflector on smaller boats that might not normally carry a radar reflector. Made of plastic-metal foil laminate. Opens in seconds and is very lightweight. Performs almost as well as Echomaster (see performance diagrams at top of page). Economical enough for any boat. Stows flat. 11.5" (29 cm) in diameter.